



# D-40

## SPECIFICATIONS

- Capacity, variable to . . . 5 - 40 gpm  
[19 - 151 liters/min]
- Pressure, variable to . . . 1200 psi [83 bar]
- Max. temperature . . . . 250° F (**consult factory in excess of 180° F**)
- Inlet port . . . . . 2 1/2 NPT
- Discharge port . . . . . 1 1/4 NPT
- Shaft diameter . . . . . 2"
- Shaft rotation . . . . . Reversible
- Dimensions . . . . . Length: 23" [584 mm]  
Width: 15" [381 mm]  
Height: 16.25" [413 mm]
- Bearings . . . . . Timken® tapered roller
- Reservoir capacity . . . 19 U.S. pints [9 liters]
- Weight (pump) . . . . . 370 lbs [168 kg]

## MATERIALS OF CONSTRUCTION \*

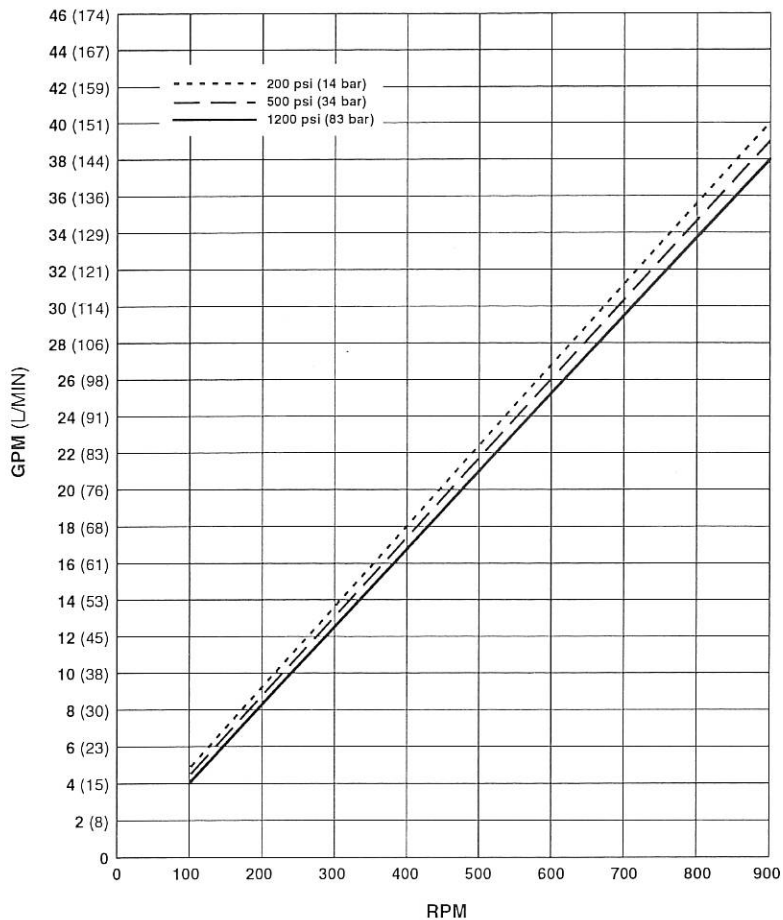
Hydra-Cell is manufactured in many heavy-duty materials for special pumping needs, and may be customized in other materials of construction.

<b>Pumping Head</b>	<b>Diaphragms</b>	<b>Valve Seats</b>
Cast Iron	Buna-N	17-4 PH Stainless Steel
316 Stainless Steel	Viton®	Nitronic® 50
	EPDM	
	Neoprene	
<b>Valves</b>	<b>Valve Springs</b>	<b>Spring Retainers</b>
17-4 PH Stainless Steel	17-7 PH Stainless Steel	Celcon®
Nitronic 50	Nitronic 50	Polypropylene
		Zytel®

\* Other materials available by special order.

## PERFORMANCE CHART

Performance may vary ±5%.

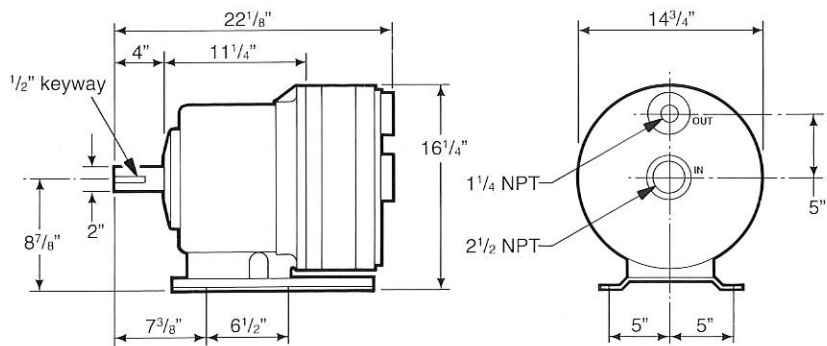


Determining required HP:

$$\frac{225 \times rpm}{63,000} + \frac{gpm \times psi}{1,460} = \text{electric brake HP}$$

**NOTE:** Horsepower is for electric motors. Consult engine manufacturer for gasoline or diesel horsepower requirements.

## DIMENSIONS



Mounting slots: 21/32" x 1-5/32".

Pump configurations and dimensions are intended as general guidelines only. Contact the factory for exact specifications.

**WANNER ENGINEERING, INC.**  
1204 Chestnut Avenue, Minneapolis, MN, 55403 USA  
(612) 332-5681 FAX: (612) 332-6937  
Toll-free FAX (USA only): (800) 332-6812

**WANNER INTERNATIONAL, LTD.**  
Grange Court, Grange Road  
Tongham, Surrey, GU10 1DW, England  
(0252) 781234 FAX (0252) 781235

U.S. Patent 3,775,030; 3,884,598; other patents pending. Canada Patent 976,807; 1,010,296. Other foreign patents granted or pending. Registered trademarks: Viton and Zytel, of E. I. duPont de Nemours & Co. Inc.; Nitronic, of Armco, Inc.; Celcon, of Celanese Corporation; Timken, of Timken Company.